

“Super-efficient, small in size, big in performance and value”



Details

Model Number: F5 Eco
Optional Version: Vertical and Horizontal
 Brushed/Polished
Case material: 304 Stainless steel

Electrical Aspects

Electrical Supply: 220-240/100-130V, 50/60Hz
Heater Element: 650w
Motor Type: Brush Motor
Motor Power: 500w
Heater Type: Heating Wire
Motor RPM: 25,000

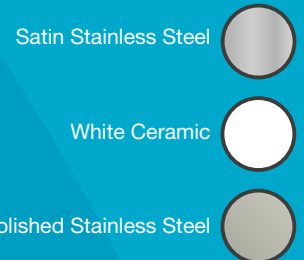
Operational Aspects

Touch-Free Activation Type: Infrared
Air Speed: 60m/s
Drying Time: 10-13s
Sensing Distance: 15-20cm
Noise: 70-75dB (Measured at 1 Metre)
Heating: Switchable
Warm Air Temp: 20-40 Degree C°
Protection Class: IPX1
Standard Warranty: 3 Years (1 Year Parts and Labour, 2 Year's Parts Only)

Dimensions

Dimensions (D x W x L): 150 x 170 x 246mm
Net Weight/Unit: 3.0Kg
Gross Weight/Unit: 3.5Kg

Finishes Available:



Placement Instruction

- Hand dryers should be spaced at least 2 feet apart, near but not over the wash basin
- In congested areas, dryers should be located to create a flow from wash basin to dryer to exit
- F5 Eco should be mounted at least 18" above or away from reflective surfaces which may interfere with the automatic sensor operation.

Dryer Quantity Recommendation

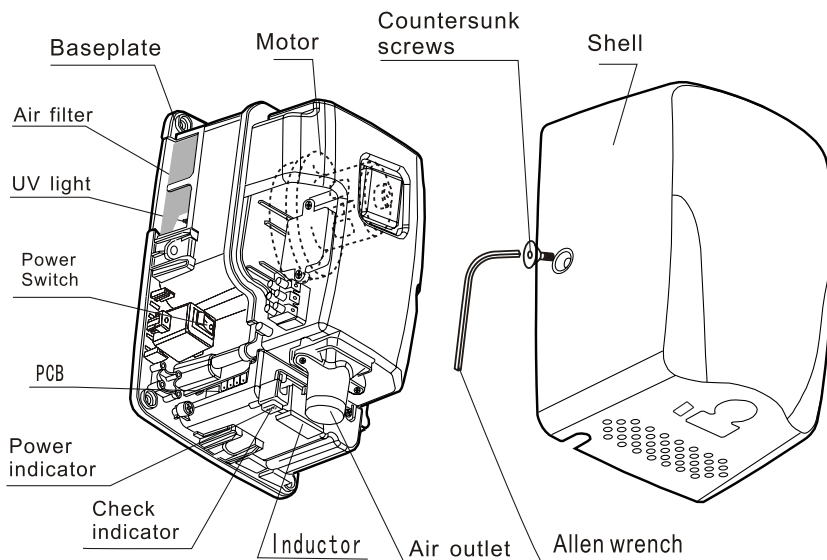
Average Traffic: 1 dryer per 2 wash basins

Heavy Traffic: 1 dryer per wash basin

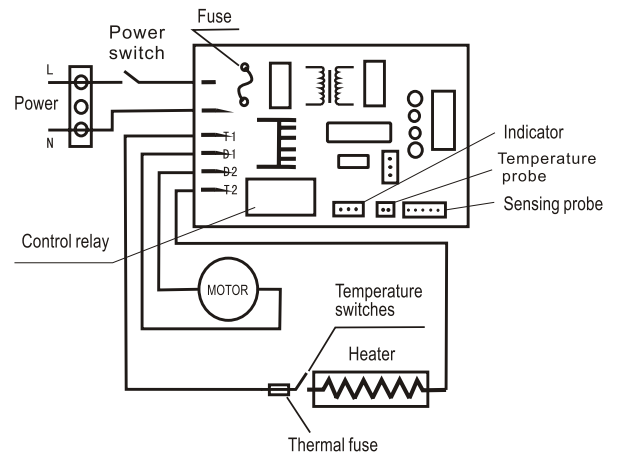
Installation Guide

Men's washrooms	46" (117 cm)
Women's washrooms	44" (112 cm)
Children's washrooms, ages 4-7	32" (81 cm)
Children's washrooms, ages 7-10	36" (91 cm)
Children's washrooms, ages 10-13	40" (102 cm)
Children's washrooms, ages 13-17	44" (112 cm)
Handicap Mounting Height	37" (94 cm)

Expanded View



Electrical Diagram



Certifications

