



VELTIA HAND DRYER

Veltia V7 300



DATA SHEET



VELTIA® is an innovative hand dryer that operates without heating elements. It operates automatically when putting your hands in the drying chamber. It works based on a high speed air flow, allowing dry your hands in a very short time leaving on the skin a nice feeling of massage.

Besides a great effectiveness, VELTIA® includes a bad scents elimination system thanks to ZEROSMELL® (sold separately).

Optional: Hepa Filter H12 (total retention $\geq 99.5\%$)

VELTIA® is ideal for washrooms with medium and high number of uses per day.

Patent number: WO / 2006 / 042896

TECHNICAL, ENVIROMENTAL AND MECHANICAL SPECIFICATIONS

MODEL	240V	120V
Voltage	220/230/240V ~	110/120V~
Frequency	50/60 Hz	50/60 Hz
Power Consumption	1.760 W	1.749 W
Current (when runnig)	8.0A @ 230Vac	15.9A @ 120Vac
Electrical Isolation	Class II	Class II
Air Speed	370 Km/h (230 mph)	370 Km/h (230 mph)
Drying Time	10 - 12 s	10 - 12 s
Dimensions	300 x 195 x 610 (mm) 11.81x7.67x24.29 (inches)	300 x 195 x 617 (mm) 11.81x7.67x24.29 (inches)
Weight	9.55 Kg (21.1 Lb)	9.55 Kg (21.1 Lb)
IP Code	IPX1	IPX1
Sound Levels (@ 2 mt)	70 dB	70 dB
Number of Motors	2	2
Motors Speed	30.000 rpm	30.000 rpm
Motors Driving System	Soft Starting	Soft Starting
Hands Detection System	IR - Barrier	IR - Barrier

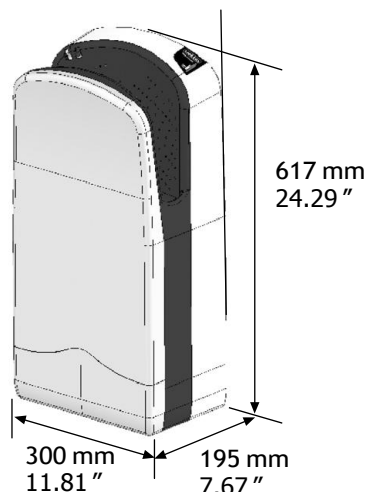
MATERIALS

Housing case and water tank made of High impact 2.6 mm thick ABS with antibacterial protection in drying area. All plastic pieces are properly prepared for recycling.

In 120 V units, internal parts are made of fire retardant plastic rated 5VA according to directive UL94

Veltia complies with the following directives: ROHS (Restriction of Hazardous Substances) and RAEE (Collection of electrical and electronic equipment and waste management).

DIMENSIONS



CERTIFICACIONES

CB Test Certificate
CE Conformity Declaration(*)


(*) According to European Directives:
Low Voltage Directive (LVD) 2006/95/CE and
Electromagnetic Compatibility Directive (EMC) 2004/108/CE

Other Certifications:

ANCE NOM (Mexico)

SABS (South Africa)

SII - The Standards Institution of Israel

 - Australian Standards

Product information subject to changes without further notice

Rev.:1.1

January 2015

VELTEK SYSTEMS S.L.

1/2



VELTIA HANDDRYER

Veltia V7 300

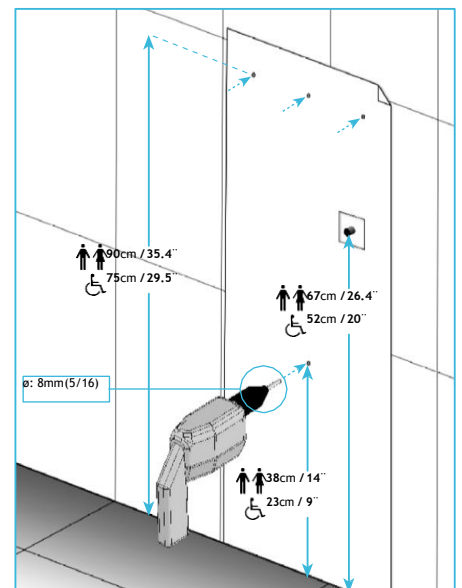
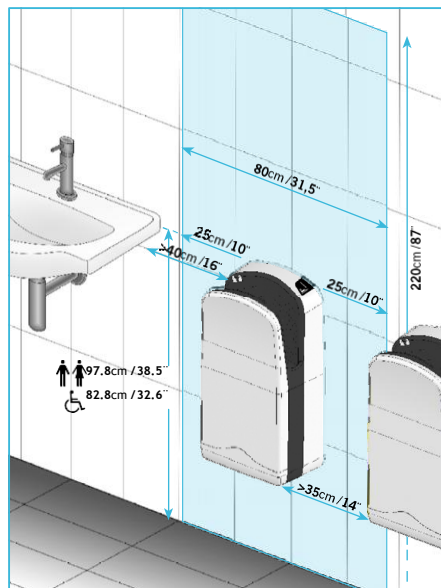
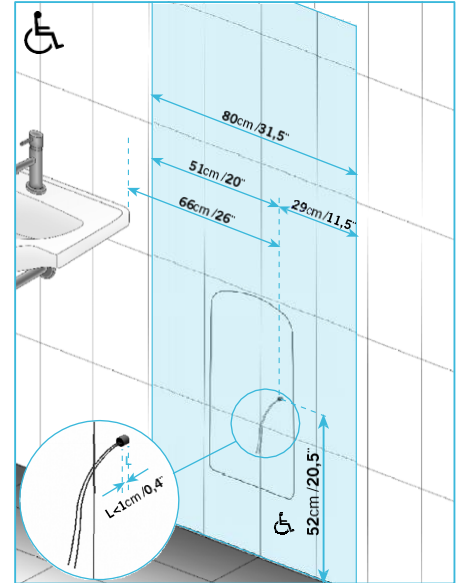
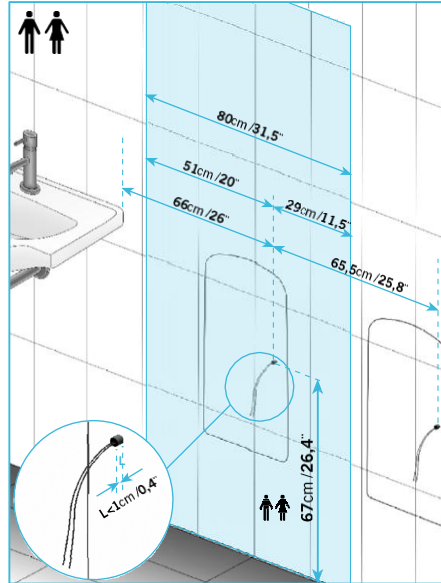
Data Sheet



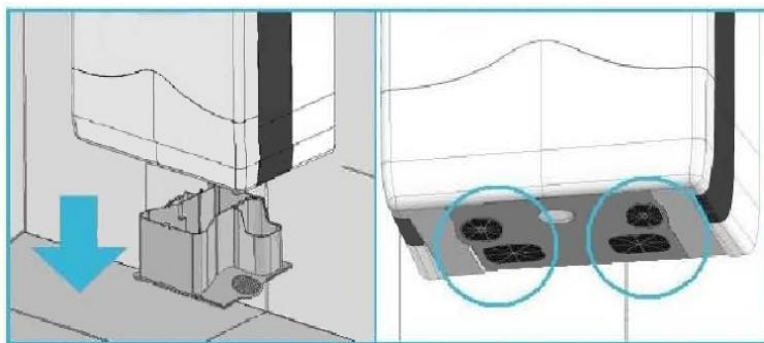
New Generation Hand Dryers



RECOMMENDED HEIGHTS FOR INSTALLATION

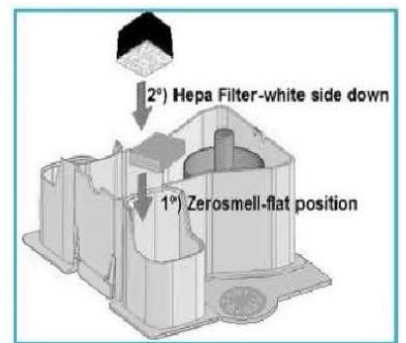


MAINTENANCE



The basic maintenance consists in emptying the water tank and cleaning the air filters following the instructions of the user's manual.

An electronic device warns (audible and visual alarm) if maintenance is required



OPTIONALS:
ZeroSmell and Hepa Filter

Product information subject to changes without further notice

Rev.:1.1

January 2015

VELTEK SYSTEMS S.L.

2/2

