

F1 Hand Dryer

Automatic

HIGH SPEED

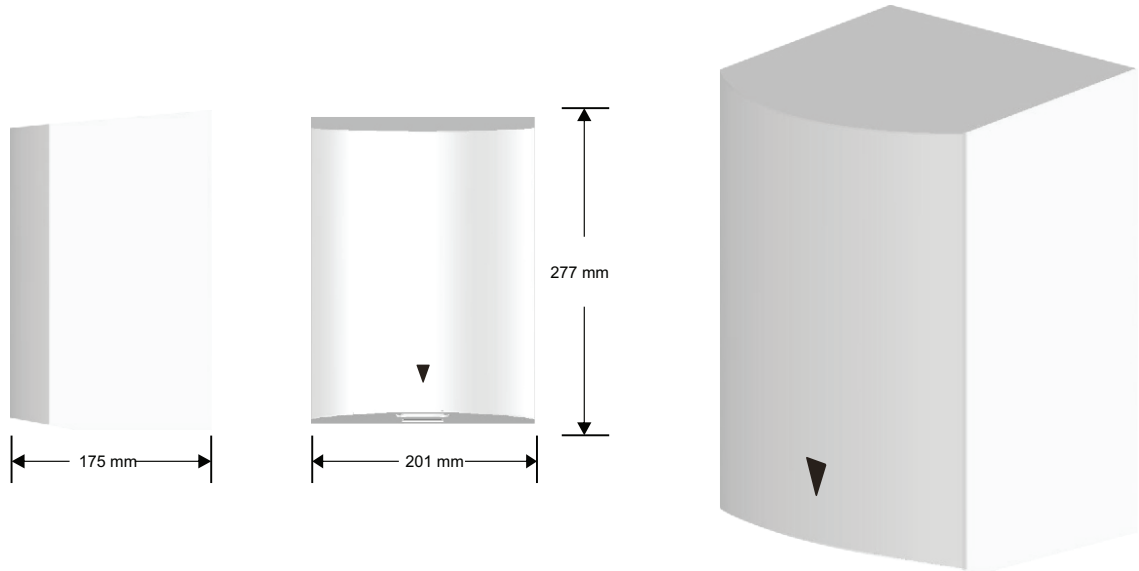


VUK019
VUK019S
VUK018

HIGHSPEED HAND DRYER

Operating Instructions and Parts Manual (Automatic)

Surface Mount



TECHNICAL SPECIFICATIONS

ITEM CATEGORY

PERFORMANCE DATA

Operating Voltage	220-240Vac, 50/60 Hz, 1.34-1.6 kW
Warm Air Speed Output	75-100 m/s (169-225 mi/hr), Adjustable
Motor Type	350-700W, 12000-18000 R.R.M, Adjustable ; Brush Type, Dual Ball Bearings
Motor Thermal Protection	Auto Resetting Thermostat turns unit off at 105°C (221°F)
Heater Element	450-900W, Adjustable
Heater Thermal Protection	Auto Resetting Thermostat turns unit off at 85°C (185°F)
Drying Time	Less than 15 seconds
Stand-by Power	Less than 0.5W
Circuit Operation	Infrared Automatic, self adjusting
Sensor Range	Auto adjust; standard 15 cm±2 cm (6")
Timing Protection	60 seconds auto shut off
Drip proof	IPX1 ♠
Isolation	CLASS 1
Net Weight	5.8 kgs (12.8 lbs)
Shipping Weight	6.6 kgs (14.6 lbs)
Unit Size	201 mm W x 277 mm H x 175 mm D (7-29/32" x 10-29/32" x 6-57/64")
Cover Type	VUK018 - Steel; White porcelain enamelled (t:1.6mm) VUK019 - Stainless steel; Bright finish. (#304 t:1.5 mm) VUK019S - Stainless steel; Satin finish. (#304 t:1.5 mm)

General safety information:

▲ WARNING This product is intended for installation by a qualified service person. Use 1.0 mm² solid conductor for wiring.

▲ DANGER Failure to properly ground unit could result in severe electrical shock and/or death.

▲ WARNING Disconnect power at the service breaker before installing or servicing. NOT FOR HOUSEHOLD USE - MAY CAUSE BURNS. "IMPROPRE A L'USAGE DOMESTIQUE - PUET OCCASIONNER."

▲ WARNING All units must be supplied with a 3-wire service. The ground wire must be connected to the dryer's backplate.

-- **NOTE:** Do not install dryer over washbasin --

Type Y attachment

If the power supply cord is damaged, it must be replaced by the manufacturer or its service agent or a similar qualified person in order to avoid a hazard.

Means for disconnection must be incorporated in the fixed wiring in accordance with the wiring rules.

Installation

1. Make sure power supply breaker is switched off. Installation must be carried out in accordance with the current edition of the local wiring regulations code having jurisdiction. Installation should be performed only by a qualified electrician.
2. Place template against wall at desired height (see mounting height recommendations) and mark locations of 4 mounting holes and wire service entry at knockout (KO) location.
Note: For two or more dryers, dryers should be no closer than 610mm (24") on center.
3. Remove and retain 2 cover screws and cover.
4. Connect supply wires to terminal block where indicated and connect ground wire to base plate with ground screw (Connections: A. Connect the live wire (colored red or black) to the terminal block marked "L". B. Connect the neutral wire (colored white or blue) to the terminal block marked "N". C. Connect the ground wire (colored green or green and yellow) to the green screw marked "⊕"). Note that colors of live and neutral wires depend on voltage of supply service.
5. Replace cover. Do not over-tighten screws.

Recommended mounting heights

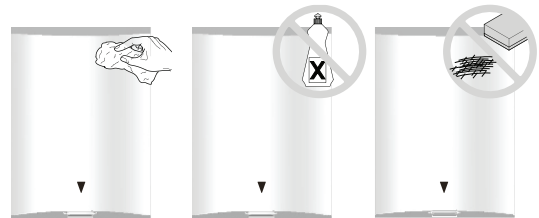
- from bottom edge of dryer above finished floor (AFF)

Men	1000 mm	(40")
Women	960 mm	(38")
Children 4-7 years	812 mm	(32")
Children 8-10 years	860 mm	(34")
Children 11-13 years	910 mm	(36")
Children 14-16 years	960 mm	(38")
Handicaped	860 mm	(34")

Cleaning and Maintenance

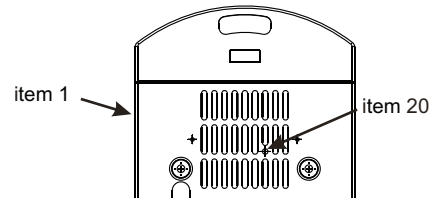
Periodic cleaning of the unit is recommended to ensure optimum performance.

- Disconnect the electrical supply.
- Remove the two cover-mounting screws.
- Remove the cover.
- Clean all dust lint from the interior of the dryer.
- Wipe the cover with a damp cloth and mild cleaning solution. Do not Soak. Never use abrasives to clean the cover.
- Replace the cover. Do not over tighten the screws.



Operation

- No-touch operation
- Shake excess water from hands.
- Place hands under the outlet to start operation.
- Rub hands lightly and rapidly.
- Stops automatically after hands are removed.

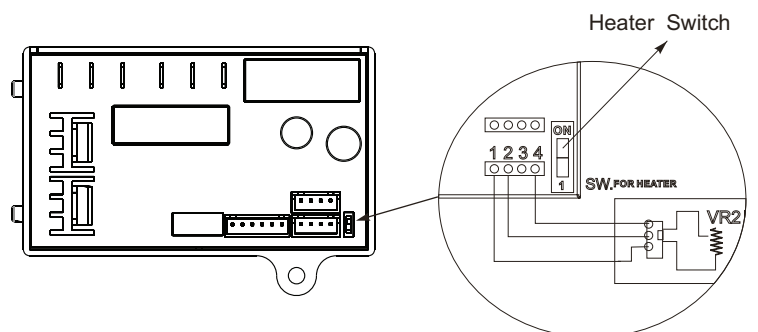


Warm air speed adjustment

Use flat blade screwdriver small enough to fit through access hole {Ø4,8mm [Ø3/16"]} in bottom grille of cover (item 1). The adjustment potentiometer (item 20) is visible through the slots of the grille. With respect to axis of screwdriver viewed from handle end, gently turn adjustment potentiometer shaft clock-wise [CW] to increase power to maximum (shaft will hard stop; DO NOT OVERTURN!). Turn tool gently CCW to reduce power as required (shaft will hard stop; DO NOT OVERTURN!). Note that at minimum power the unit may not start if low line Voltage condition exists.

Heater Element Switch ON/ OFF

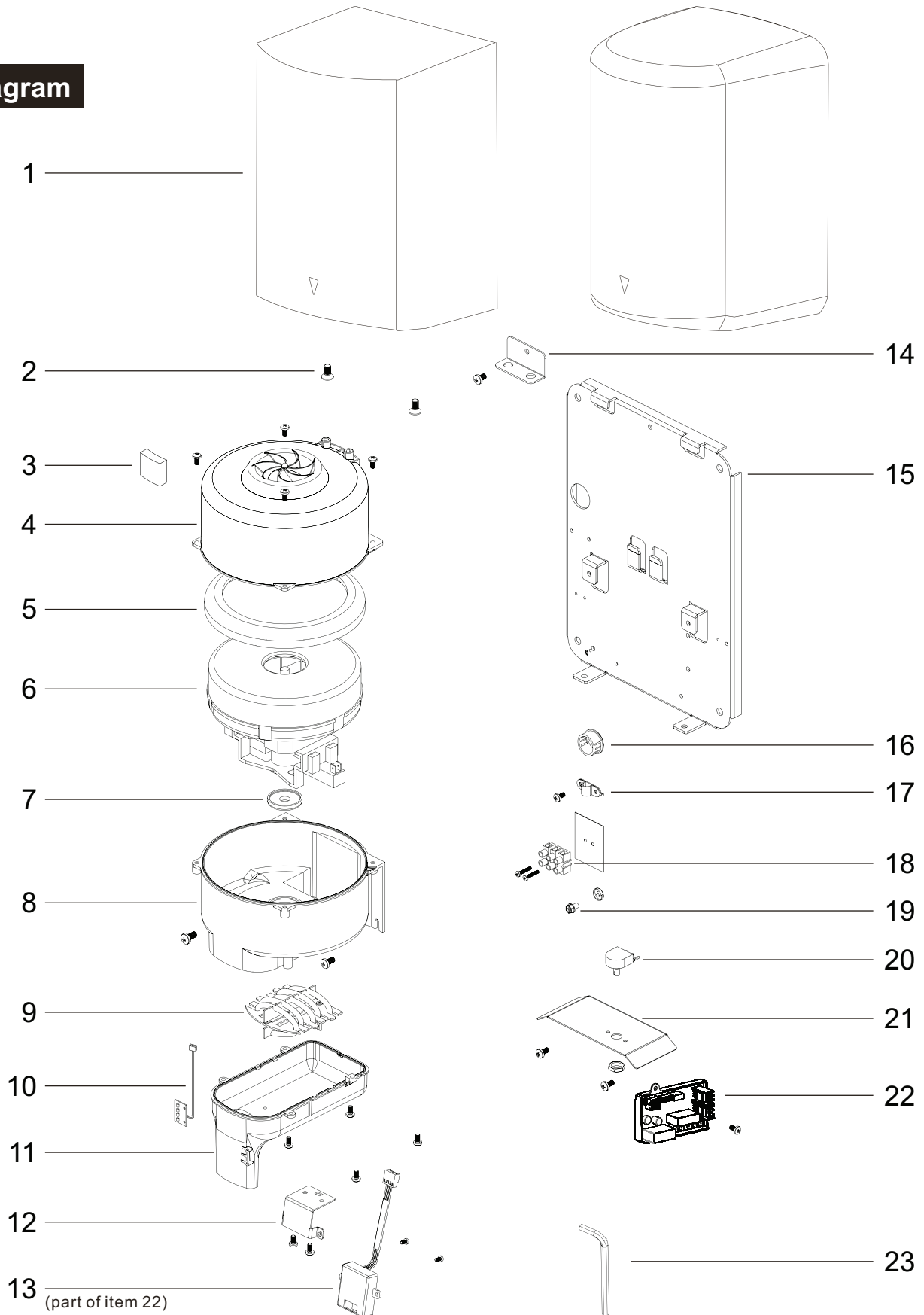
1. Cut off the power, loosen the screw of the cover and remove the cover.
2. Adjust the heater switch on the PCB with a flathead screwdriver.
 - 2.1 Turn the switch to "ON": heater on
 - 2.2. Turn the switch to "1": heater off



VUK019 VUK019S

VUK018

Diagram



Repair parts list

Key	Description
1	Steel - White porcelain enamelled (VUK018) Stainless Steel - Bright finish (VUK019) Stainless Steel - Satin finish (VUK019s)
2	Security hex screw (2 reqd.)
3	Shock absorber
4	Blower housing - Top
5	Motor rubber - Large
6	Motor
7	Motor rubber - Small
8	Blower housing - Bottom
9	Heater assembly
10	LED assembly
11	Air outlet
12	Sensor bracket
13	Sensor module
14	Blower housing bracket
15	Base plate
16	Nylon hole bushing
17	Cable clamp
18	Terminal block
19	Grounding screw
20	VR (variable resistance)
21	VR bracket
22	Circuit Board Module
23	Security hex wrench